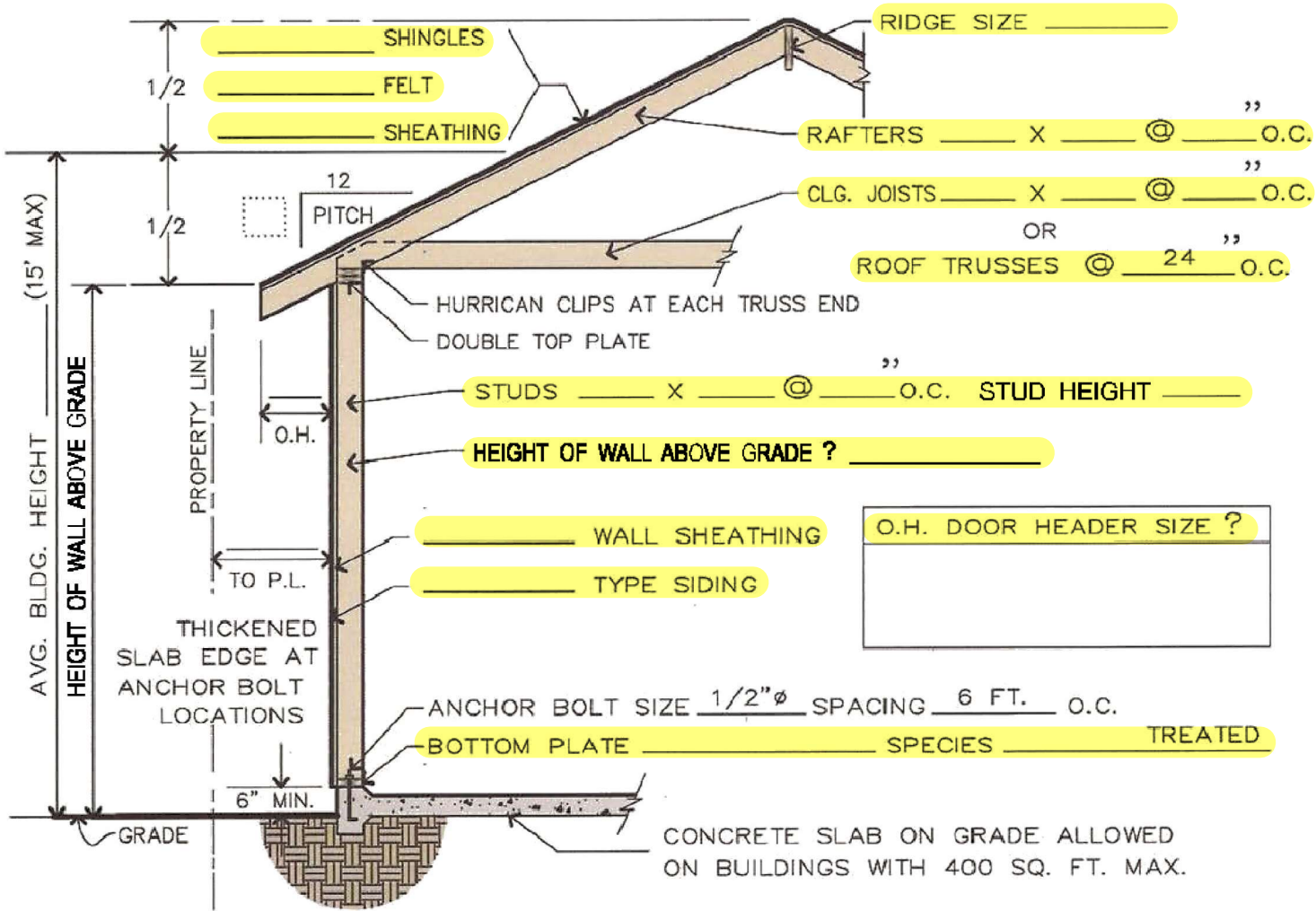


# DETACHED ACCESSORY BUILDING



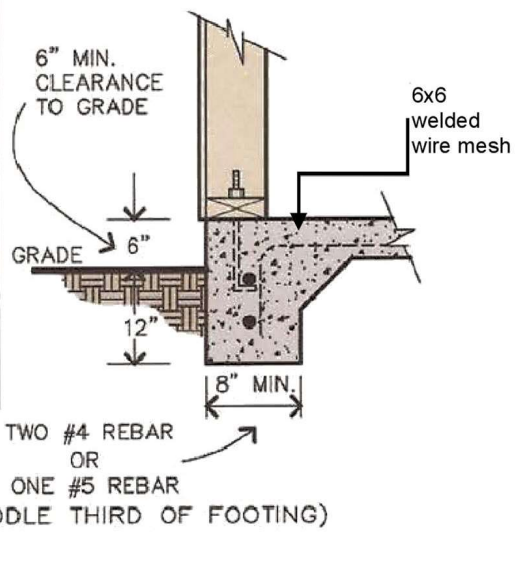
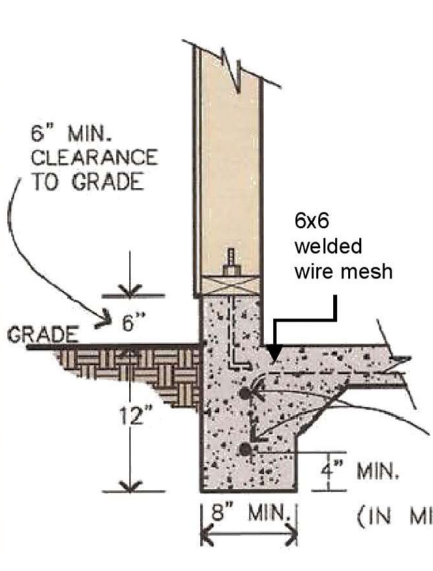
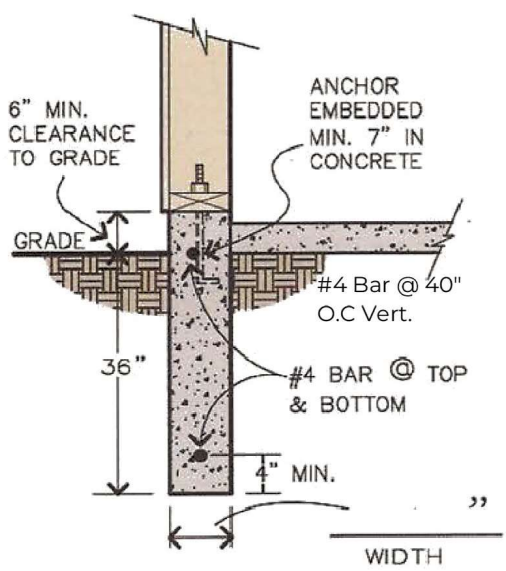
O.H. DOOR HEADER SIZE ?

## FROST - FREE FOOTING •

\* FOR BUILDINGS OVER 400 SQ. FT.

## • MONOLITHIC SLAB •

Grade must be relatively level  
 OPTIONAL FOR BUILDINGS LESS THAN 500 SQ. FT.



**\*\*\*CIRCLE ONE\*\*\***